

Billi Quadra 4180 with XT Touch Dispenser

The Quadra Boiling and Chilled range is a commercial drinking water solution that is water cooled, so requires no joinery venting. The drawcard for the entire Quadra range is the use of innovative energy reclaim technology which enables space savings, energy efficiency and completely eliminates exhaust heat transfer. All Quadra boiling and chilled products are Global Greentag certified to a Gold standard.

The XT touch dispenser is an innovative, contemporary design, which has a top operating panel offering a sophisticated and clean style.



BOILING



CHILLED



Features



AUSTRALIAN
DESIGNED
& MADE



WATER
COOLED
TECHNOLOGY



HEAT
EXCHANGE
TECHNOLOGY



VENT-FREE
INSTALLATION



ENERGY
EFFICIENT



ECOLABEL
CERTIFIED

XT Touch
Dispenser



Quadra 4180
Under-Bench Unit



Finishes

Standard Finishes



CH -
Chrome



BR -
Brushed



MB -
Matte Black



MW -
Matte White

Add the relevant Finish Code to the Product code to complete your specification eg 904180TCH-LF

Accessories

992800 - 70mm Riser & Font



992820 - 70mm Riser



992803 - 120mm Riser & Font



992830 - 120mm Riser



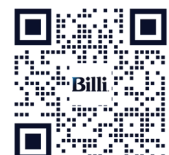
990720 - Tubing Extension Kit for X series dual temp dispensers 2mtrs

Product Specifications

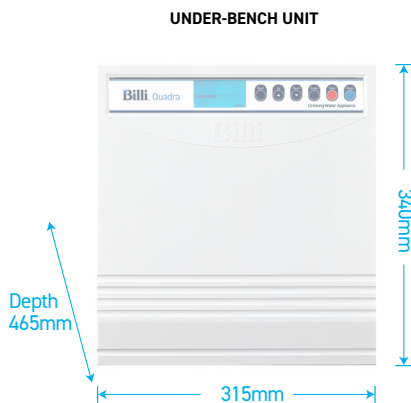
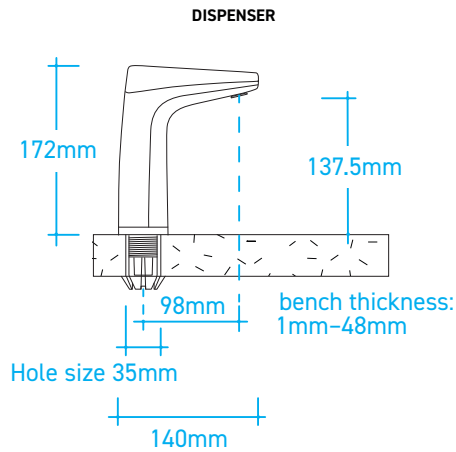
| | |
|--------------------------|--|
| Water Type | BC |
| Dispenser | T - XT Touch Dispenser |
| Mixer Tapware | N/A |
| Product Code | 904180T |
| Warranty | 3 years manufacturers warranty |
| Under-Bench Dimensions | 315mm(W) x 340mm (H) x 465mm (D) |
| Boiling Output | Up to 250 cups per hour |
| Chilled Output | Up to 175 cups per hour |
| Sparkling Output | N/A |
| 50°C Hot Water Output | N/A |
| Min / Max Dispenser Temp | 6°C / 99°C |
| Power Plug | 20 amp |
| Power Rating | 4300W, 220-240V ~ 50-60Hz |
| Water Pressure | Min. 250kPa |
| Ecolabel | Global GreenTag LCARate GOLD |
| EPD | ✓ |
| Greenstar Contribution | Up to 16 Points |
| Watermark License | WM-021525 |
| Lead Free | ✓ |
| Section J7.7 (NCC) | ✓ |
| WELS | N/A |
| WELL | Cornerstone Membership |
| Management Systems | Every Billi drinking water appliance is manufactured under the strictest standards and is certified in accordance with: ISO9001 for QMS (FS 790754), ISO14001 for EMS (EMS 801468) and ISO45001 for OSHS (OHS 801469). |
| Food Handling | HACCP License No. PE-138-BIL-R1-03 |
| Filtration | 994051 - 5.0 Micron supplied standard |

Scan the QR code access
our Revit families on

bimstore

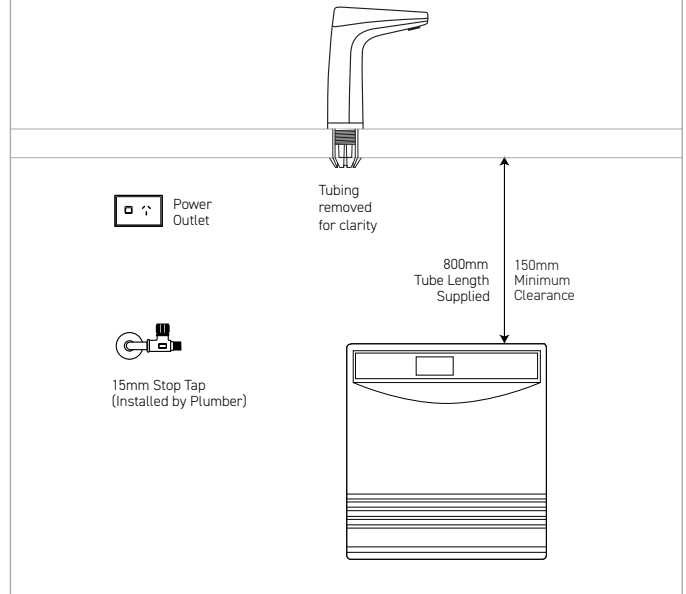


Technical Drawings



* Drawings are for guidance during Specification, refer to Installation requirements for final install. All efforts are made to ensure Compliance & Certifications claims are current, however this is subject to change without notice. Billi assumes no liability or responsibility for out of date information.

Installation Requirements



Installation Notes

- Electrical** A standard 20 amp power outlet is required, located no further than 1000mm from the underbench unit. The system is supplied with a 1 metre flex cord and plug.
- Water** A single 1/2" BSP (15mm) stop-tap with a male thread should be installed in an easily accessible position. Water supply must be microbiologically safe to drink, with a minimum dynamic water pressure of 250kPa and a maximum of 1000kPa.
- Pressure Valve** Integrated 500kPa pressure limiting and dual check valve is pre-installed to the unit inlet.
- Stone Benches** Billi has a no-cut policy regarding all stone benches in compliance with regulations. The safety of our team and customers remains Billi's top priority.
- Ventilation** No joinery ventilation or accessories are required for this Billi product (water cooled technology).

Filtration - Most Recommended Replacement Filters

Billi range of premium filters utilize BWT's unique FibronX® technology, providing superior taste, water quality, filter life longevity and peace of mind when it comes to hygiene.



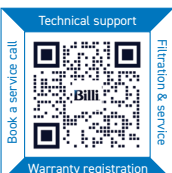
994051 - (5.0 micron)

Supplied standard.
Commercial & high volume sites.



994052 - (0.2 micron)

Fine filtration.
Residential or Critical Care sites.



Please scan the QR code for all support information.

Billi Australia Pty Ltd

P 1800 812 321
W www.billi.com.au

Billi New Zealand Ltd

P 0800 636 0 636
W www.billi.co.nz

Billi