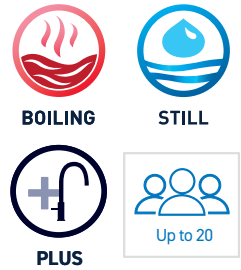


### Billi Sahara Plus 320 with XT Touch Dispenser & Square Mixer

The Sahara Boiling and Ambient (still) drinking water system, is a commercial capacity system, that maintains Billi's core design principles of space saving and vent-free installation. Offering both boiling temperature water and a bottomless supply of filtered ambient temperature water, the Sahara range is convenient and highly functional.

This system also serves as a point of use hot water system, for tea preps and breakout spaces with the addition of a mixer tap, providing Hot and Cold water for the sink.

The XT touch dispenser is an innovative, contemporary design, which has a top operating panel offering a sophisticated and clean style.



### Features



XT Touch Dispenser

Square Mixer

Sahara Plus 320 Under-Bench Unit



### Finishes

#### Standard Finishes



Add the relevant Finish Code to the Product code to complete your specification, eg. 943025TSCCH-LF

### Accessories

992800 - 70mm Riser & Font



992820 - 70mm Riser



992803 - 120mm Riser & Font



992830 - 120mm Riser



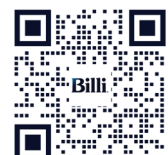
990720 - Tubing Extension Kit for X series dual temp dispensers 2mtrs

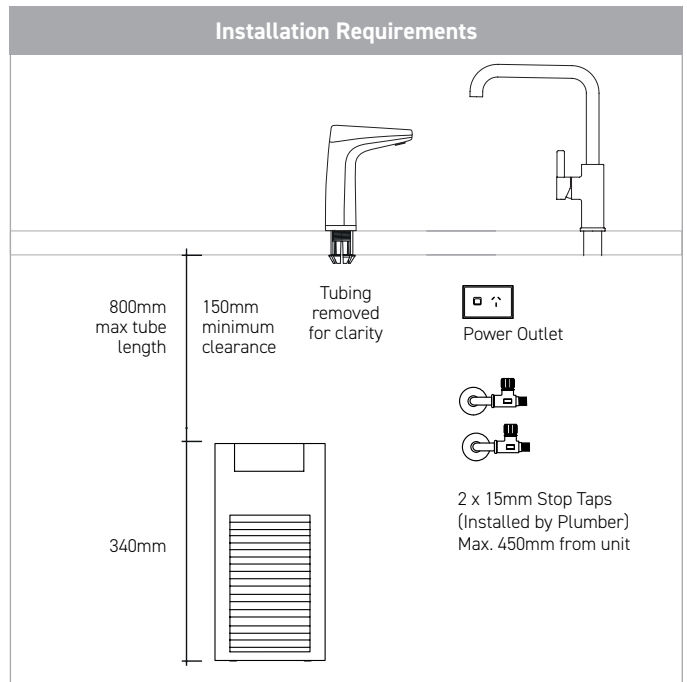
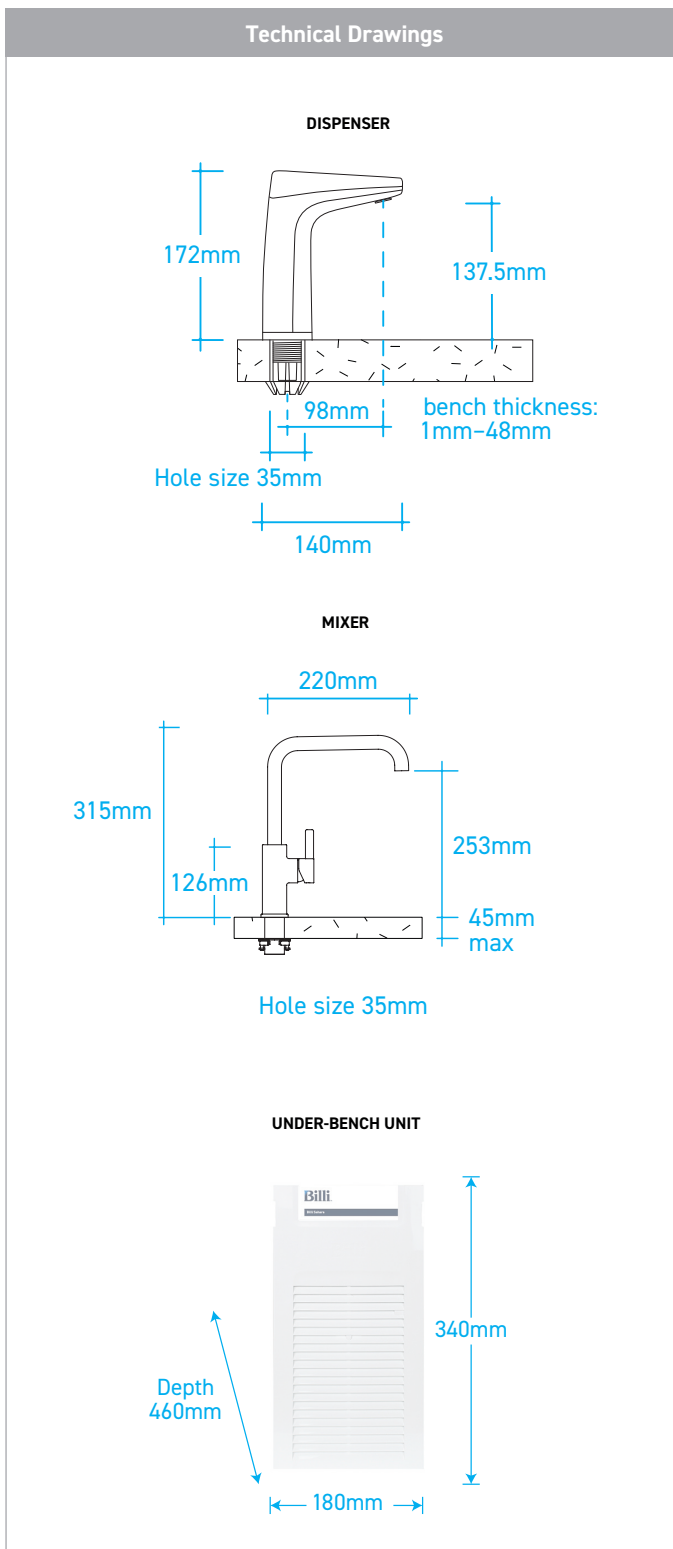
### Product Specifications

|                          |  |
|--------------------------|--|
| Water Type               | BAHA   |
| Dispenser                | T - XT Touch Dispenser   |
| Mixer Tapware            | S - Square Mixer   |
| Product Code             | 943025TG   |
| Warranty                 | 3 years manufacturers warranty   |
| Under-Bench Dimensions   | 180mm(W) x 340mm (H) x 460mm (D)   |
| Boiling Output           | Up to 120 cups per hour  |
| Chilled Output           | N/A  |
| Sparkling Output         | N/A  |
| 50°C Hot Water Output    | Up to 25L per hour   |
| Min / Max Dispenser Temp | Ambient / 99°C   |
| Power Plug               | 10 amp   |
| Power Rating             | 1600W, 220-240V ~ 50-60Hz  |
| Water Pressure           | Min. 250kPa  |
| Ecolabel                 | N/A  |
| EPD                      | N/A  |
| Greenstar Contribution   | N/A  |
| Watermark License        | WM-021525 (unit), WM-25901 (tap)   |
| Lead Free                | ✓  |
| Section J7.7 (NCC)       | ✓  |
| WELS                     | 6 Star - 0133  |
| WELL                     | Cornerstone Membership   |
| Management Systems       | Every Billi drinking water appliance is manufactured under the strictest standards and is certified in accordance with: ISO9001 for QMS (FS 790754), ISO14001 for EMS (EMS 801468) and ISO45001 for OSHS (OHS 801469). |
| Food Handling            | HACCP License No. PE-138-BIL-R1-02   |
| Filtration               | 994051 - 5.0 Micron supplied standard  |

Scan the QR code access our Revit families on

# bimstore





### Installation Notes

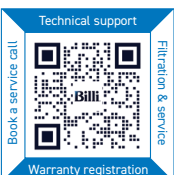
- Electrical** A standard 10 amp power outlet is required, located no further than 1000mm from the underbench unit. The system is supplied with a 1 metre flex cord and plug.
- Water** Two (2) Cold 1/2" BSP (15mm) stop-taps with a male thread should be installed in an easily accessible position. Water supply must be microbiologically safe to drink, with a minimum dynamic water pressure of 250kPa and a maximum of 1000kPa.
- Pressure Valve** Integrated 500kPa pressure limiting and dual check valve is pre-installed to the unit inlet.
- Stone Benches** Billi has a no-cut policy regarding all stone benches in compliance with regulations. The safety of our team and customers remains Billi's top priority.
- Ventilation** No joinery ventilation or accessories are required for this Billi product (no waste heat).

### Filtration – Most Recommended Replacement Filters

Billi range of premium filters utilize BWT's unique FibrionX® technology, providing superior taste, water quality, filter life longevity and peace of mind when it comes to hygiene.



\*Drawings are for guidance during Specification, refer to Installation requirements for final install. All efforts are made to ensure Compliance & Certifications claims are current, however this is subject to change without notice. Billi assumes no liability or responsibility for out of date information



Please scan the QR code for all support information.

**Billi Australia Pty Ltd**  
P 1800 812 321  
W www.billi.com.au

**Billi New Zealand Ltd**  
P 0800 636 0 636  
W www.billi.co.nz

